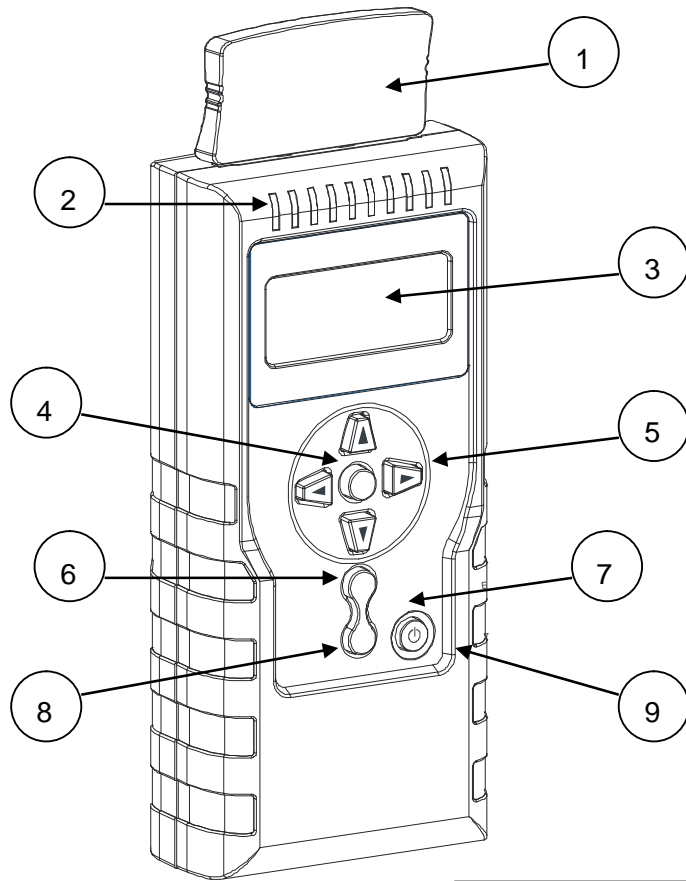


Wi-Net™ Window WP150 Wireless Ethernet Tester Quick Start Guide

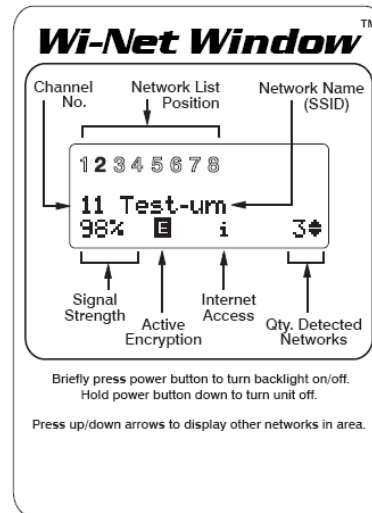


Button Function

- | | |
|------------------------|-----------------|
| 1. Antenna | 6. Scan Key |
| 2. Signal Strength LED | 7. Set-Up Mode |
| 3. LCD Display | 8. Ping Key |
| 4. Select Key, SEL | 9. Power Button |
| 5. Navigation Keys | |

Features

- Signal Strength shown as both a percentage on the LCD and a light bar
- Equipment name and channel of transmission identified
- Identifies and communicates with IEEE 802.11 wireless access points, b and g
- Lists all received wireless transmissions in the area for review with constant scanning
- Displays encryption condition on each wireless component
- Lists signal as access point, ad-hoc, IP or Twin
- Ping function accesses Ip addresses and determines an internet link condition
- Negotiates with network DHCP for component identification and IP/MAC addresses



ABC'S to Wireless Testing

- Push the Power Button
- Wi-Net Window automatically searches for all wireless signals in the area – Review the reference chart to the left
- Use the up and down Navigation Keys to view any wireless networks in the area
- To ping test a non-encrypted system, simply push the Ping Key
- Wi-Net Window will negotiate with the DHCP and display the IP address, Router IP, send and receive information on the packet test and signal latency
- The tech may also check the DNS Service and up to four separate targets (web sites)
- To check the access point MAC code, simply press the SEL Key 3 times after locating the correct network

For more advanced information and questions, please visit our customer support area at www.jdsu.com/test-um

